

# 206PXFLF Large Flange Pex Sillcock • Spec Sheet



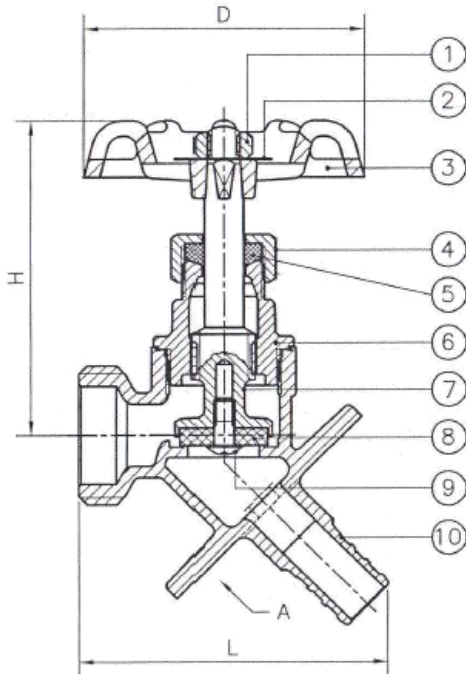
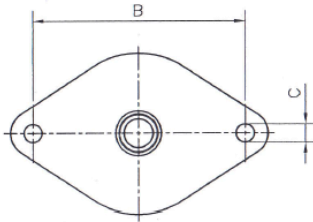
\*Product will have LF imprinted on the body for Lead Free

## FEATURES & BENEFITS

- Lead Free Brass\*
- Large Flange Sillcock
- 125 WOG
- ANSI/NSF 61 & ANSI/NSF 372
- Max Temperature 160°F
- Hose X Pex
- Size 1/2"

## DIMENSIONS

Part #	Size	B	C	D	H	L
206PX03FLF	1/2" Pex X 3/4" MHT	2.58	0.22	2.09	2.40	2.34



## MATERIAL SPECIFICATIONS

No.	Part	Material
1	Nut	Hot Rolled SAE 1010R
2	Name Plate	Aluminum A1100
3	Handle	Cast Iron JIS ZZ2202
4	Packing Nut	Brass C37700
5	Packing	PTFE M-392
6	Bonnet	Cast Brass C46400
7	Stem	Cast Brass C46400
8	Seat Packing	Rubber (NBR) SN 819F
9	Screw	Forged Brass C26000
10	Body	Cast Brass C46400

\*This product complies with 0.25% weighted average lead content on wetted surfaces in accordance with the Safe Drinking Water Act (SDWA) / Federal Public Law No. 111-380.



Global sourcing. National compliance. Local service.

**CALIFORNIA** 5595 Fresca Dr., La Palma CA 90623  
**TEXAS** 1150 Silber Rd., Houston TX 77055  
**ILLINOIS** 278 Windy Point Dr., Glendale Heights, IL 60139  
**GEORGIA** 113 Industrial Blvd., Americus, Georgia 31709  
**NEW YORK** PO Box 27, Rt.22, Brewster NY 10509  
 WEB: [www.matco-norca.com](http://www.matco-norca.com)

• Phone: 866-532-8306 • Fax: 866-532-8307  
 • Phone: 800-935-5456 • Fax: 713-680-2999  
 • Phone: 844-412-5068 • Fax: 800-640-2252  
 • Phone: 800-433-7526 • Fax: 800-533-5134  
 • Phone: 800-431-2082 • Fax: 845-278-9056  
 EMAIL: [mail@matco-norca.com](mailto:mail@matco-norca.com)